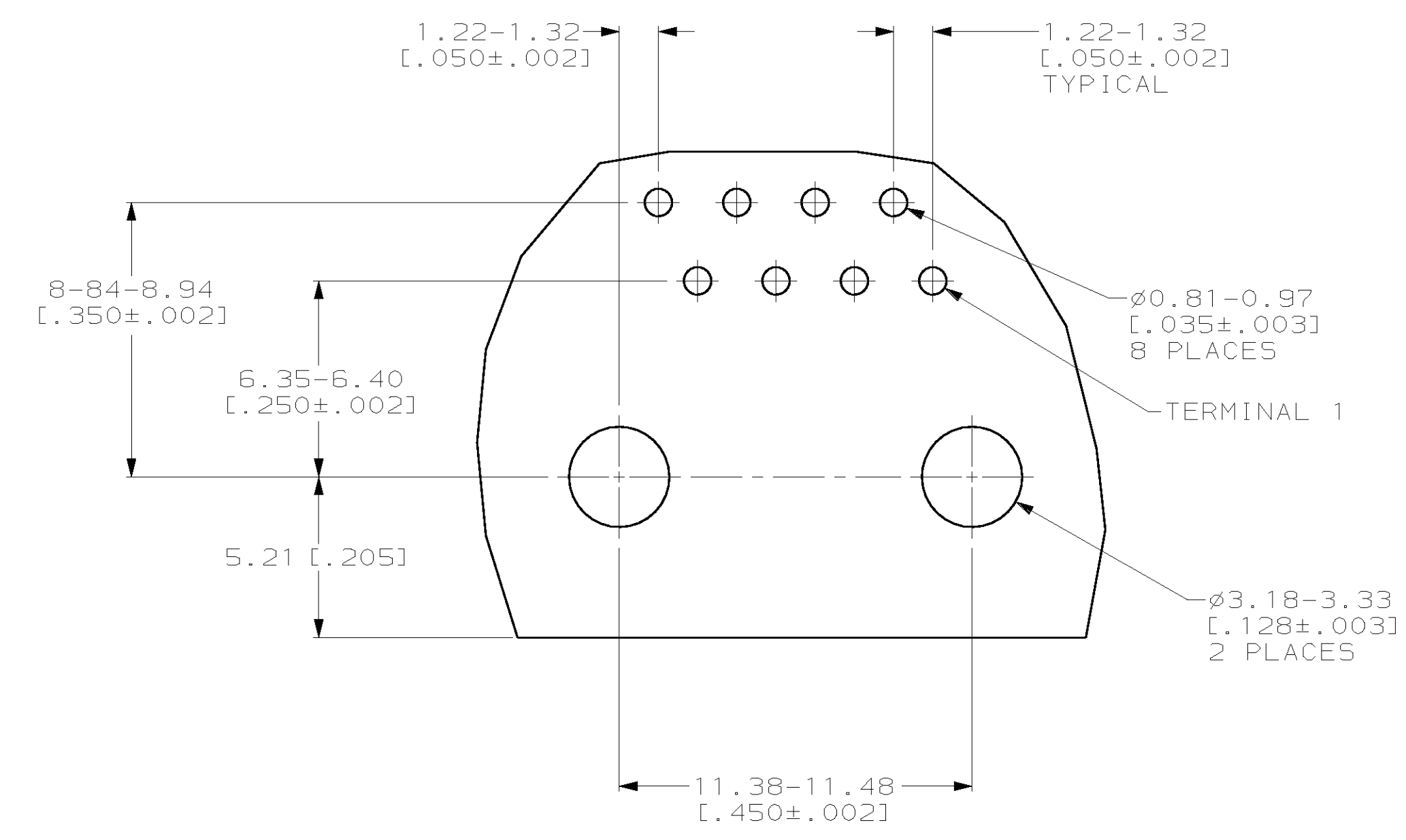
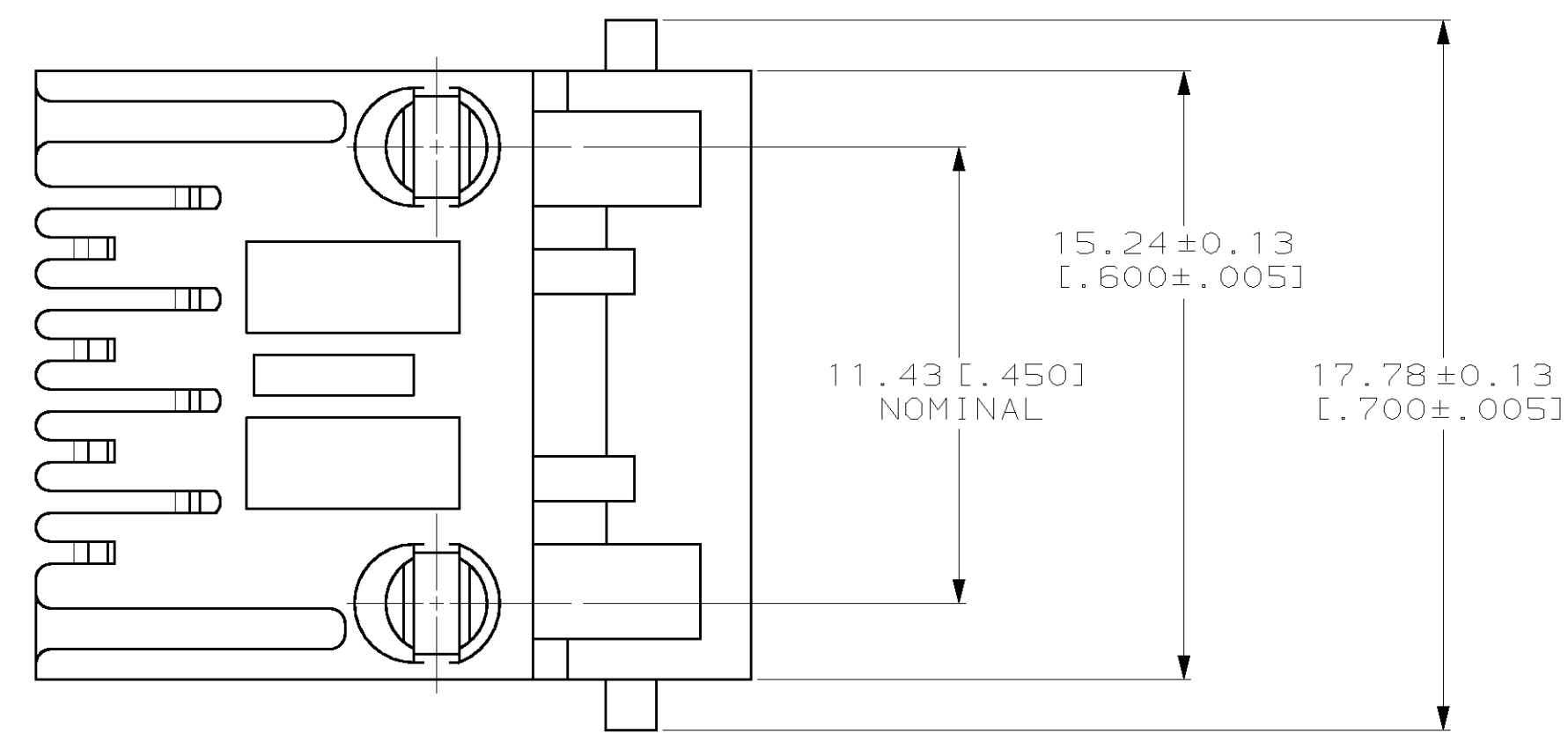
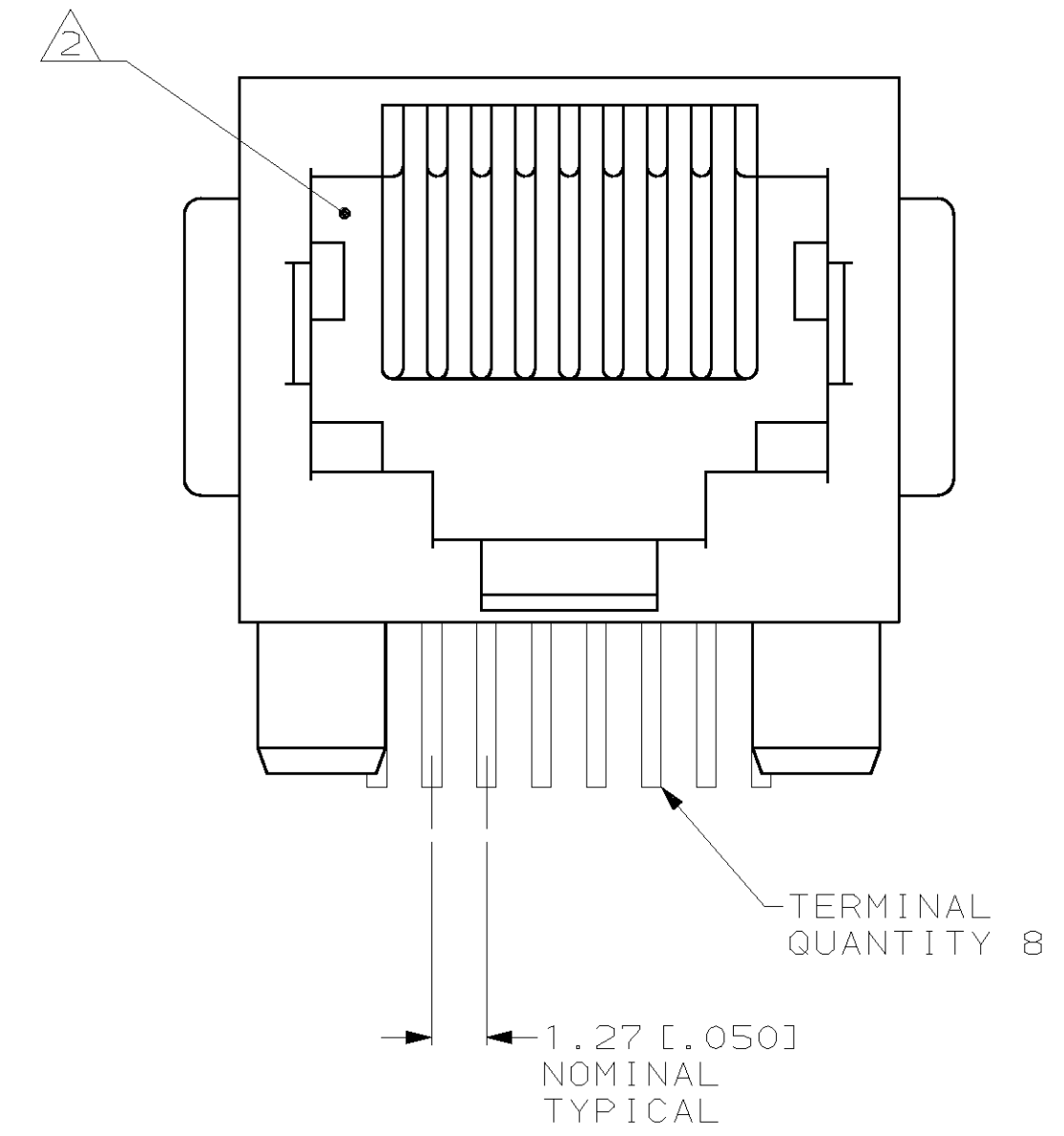
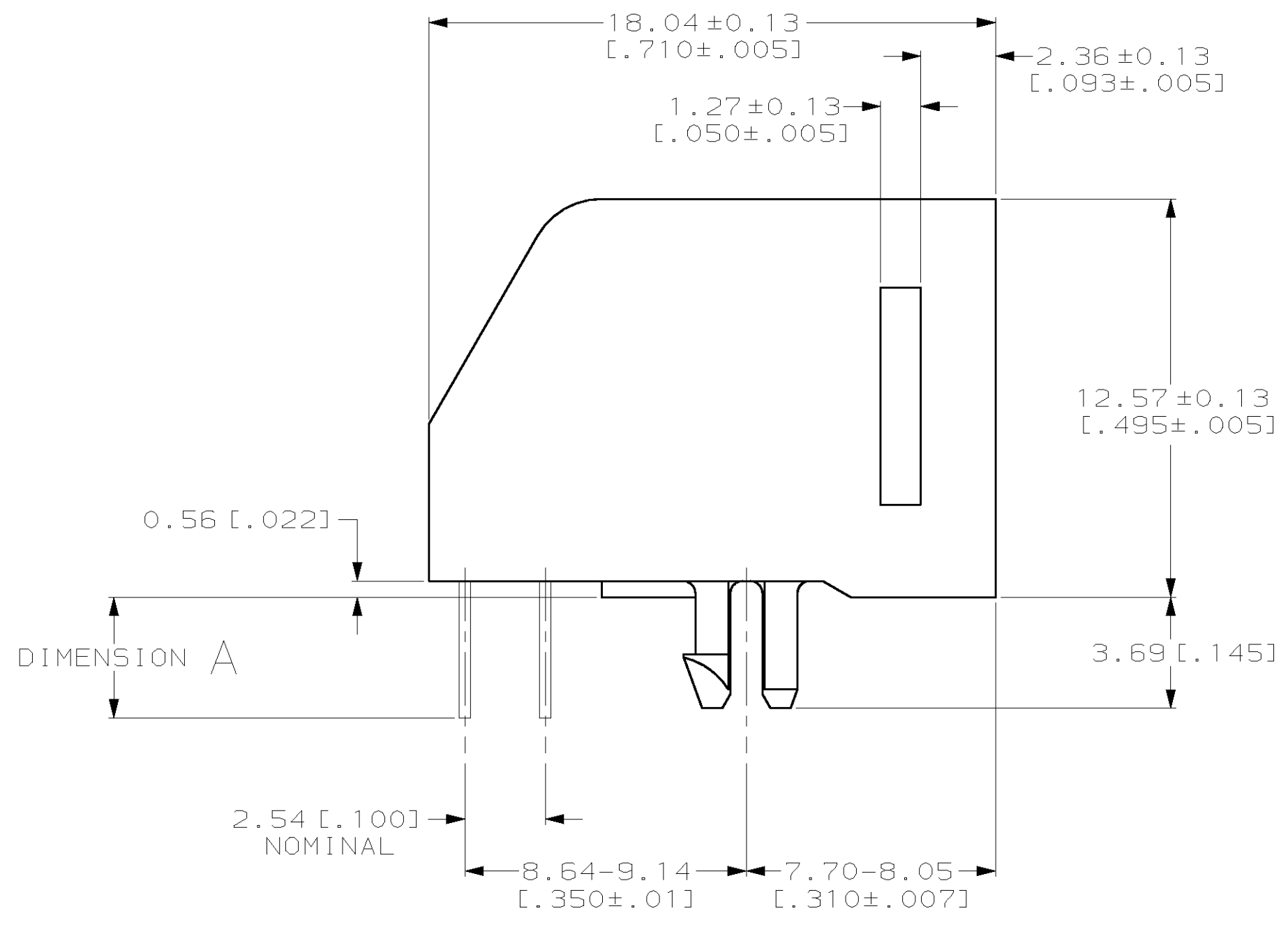


LOC		DIST		REVISIONS			
AA	22	TR	LTR	DESCRIPTION	DATE	DWN	APVD
		J		REVISED PER EC 0511-0104-02	30JUL02	DD	BK



- ⚠ DIMENSIONS ARE MAXIMUM UNLESS OTHERWISE SPECIFIED.
- ⚠ CAVITY CONFORMS TO FCC RULES AND REGULATIONS PART 68, SUBPART F.
- ⚠ MATERIAL: HOUSING - PBT POLYESTER, BLACK. TERMINAL - PHOSPHOR BRONZE PLATED WITH  $1.27\mu\text{m}$  [ $.000050$ ] MINIMUM THICK HARD GOLD IN LOCALIZED GOLD PLATE AREA AND  $3.81\mu\text{m}$  [ $.000150$ ] MINIMUM THICK TIN-LEAD IN SOLDER AREA OVER  $1.27\mu\text{m}$  [ $.000050$ ] MINIMUM THICK NICKEL UNDERPLATE.
- ⚠ BULK PACKAGED IN A TRAY.

SUPERSEDED BY 555162-1	⚠	$2.54-3.05$ [ $.11 \pm .01$ ]	555162-4
	⚠	$3.30-4.32$ [ $.15 \pm .02$ ]	555162-1
PACKAGED		DIMENSION A	PART NUMBER

THIS DRAWING IS A CONTROLLED DOCUMENT.		DWN T. SPRINKLE CHK C. WHITT	DEKAY94 16MAY94	TYCO Electronics Harrisburg, PA 17105-3608	
DIMENSIONS mm [INCHES]	TOLERANCES UNLESS OTHERWISE SPECIFIED.	APVD J. TONEY	23MAY94	NAME MODULAR JACK ASSEMBLY, 8 POSITION, LOW PROFILE, RIGHT ANGLE, WITH PANEL STOPS	
0 PLC ±	1 PLC ±	PRODUCT SPEC 108-1163		SIZE A1	CAGE CODE 00779
2 PLC ±	3 PLC ±	APPLICATION SPEC 114-2048		DRAWING NO 555162	RESTRICTED TO -
4 PLC ±	ANGLES ±	FINISH		WEIGHT -	CUSTOMER DRAWING
- ⚠		- ⚠		SCALE 6:1	SHEET 1 OF 1